

D070 Double Wall Heat Exchanger

~A Visible Safety Solution~



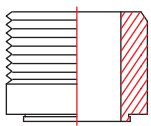
General Information

In prevention of two different kinds of fluid from intermixing caused by internal leakage, KAORI precisely designed the D070 solution with the double-stacked plates, to eliminate the possibility of cross contamination. The unique air gap is created between the two plates. Once the internal leakage occurs, the 2nd plate becomes the shield to keep the liquid stay and flow on the same channel through the air gap. Meanwhile, vent holes outside the plate will seep out the liquid as an indication of leakage.

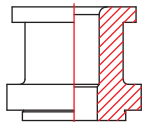
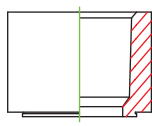
The patented plate design construction can greatly raise and enforce the safety to use KAORI D070, especially for Residential and Industries where require high and strict safety standard; a visible safety solution.

Connectors

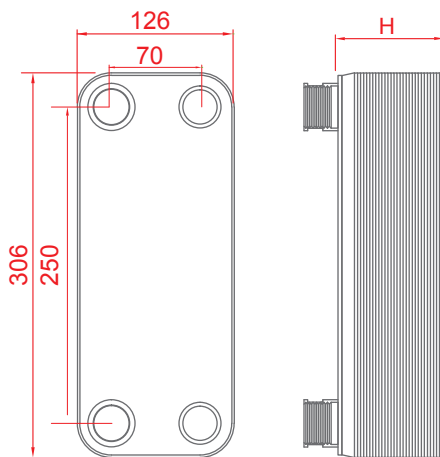
1 1/2"
Male Thread



1 1/4"
Female thread



Soldering
Ø35.25 mm



Unit: mm

Ideal for Residential and Industries application

Residential

Hydronic Heating, District Heating, Radiant Floor Heating, Gas Boiler, Solar Domestic Hot Water Systems, Snow Melting, Domestic and Potable water Heating system, Heat Pump

Industries

Food Industry, Pharmaceutical industry, Chillers, Transformer oil cooling, Lubricating Oil Cooling

Specifications

Quality Materials

Connections	Stainless Steel
Plates	Stainless Steel
Brazing Material	99.9% Pure Copper

Technical Data

Model	D070
Max. working temperature	200 °C
Max. working pressure	30 bar
Min. test pressure	43 bar
Plate Heat Transfer Area	(N-2)*0.03 m ²
Thickness - H	9.3+2.60*N mm
Weight (without connector)	1.53+0.203*N kg

N: Number of Plates

www.kaori-bphe.com



KAORI HEAT TREATMENT CO., LTD.

5-2, Chilin North Road, Chung-Li Industrial Zone, Chung-Li District, Taoyuan City, Taiwan
Tel: +886-3-4626958 Fax: +886-3-4628021 E-mail: sales@kaori.com.tw

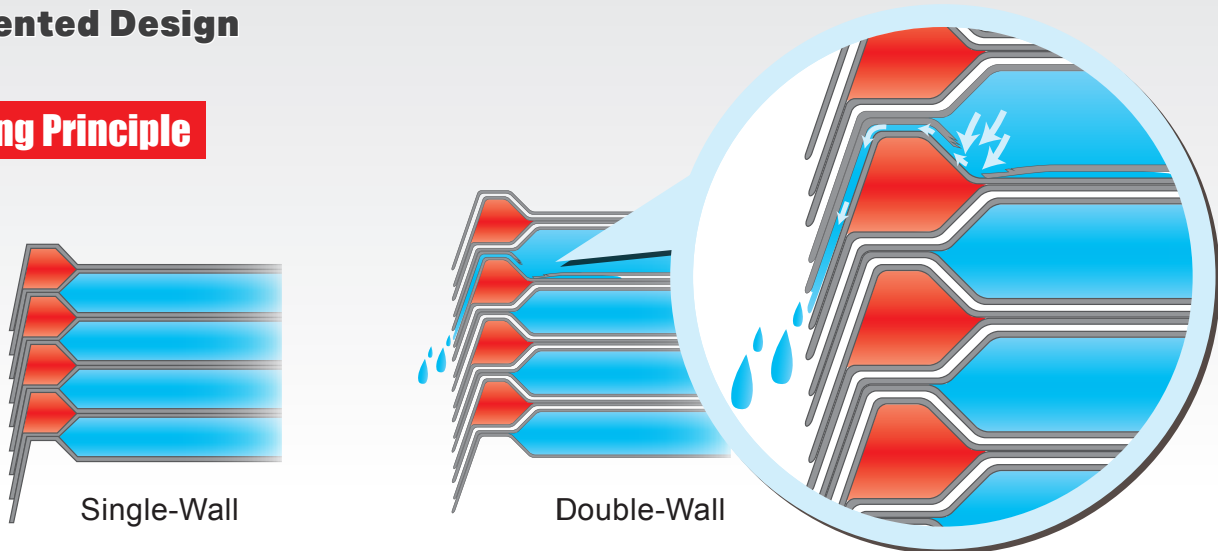


Innovation \ Quality \ Responsibility \ Honor

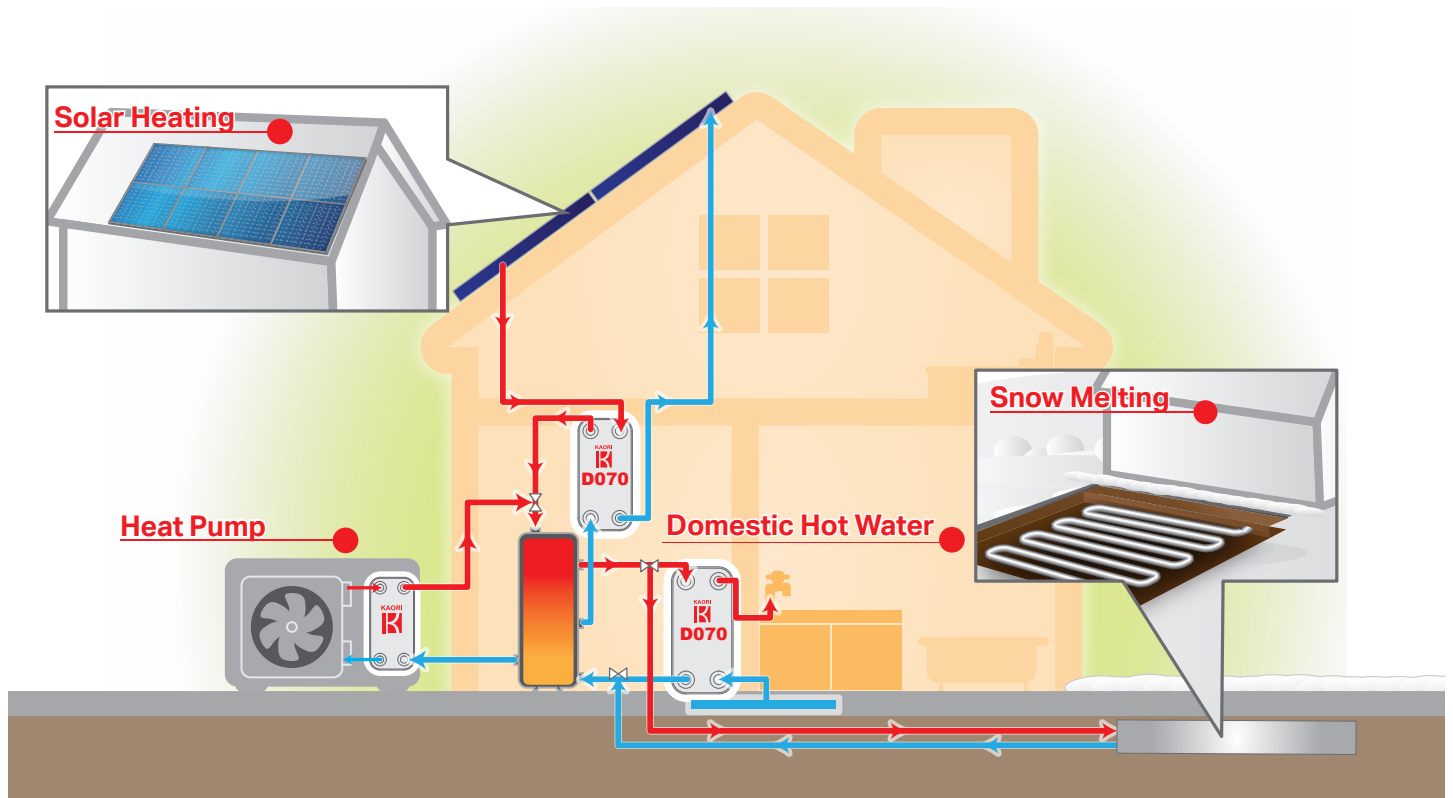
The Benefits Add Up

- **A Visible Safety Solution**
- **Prevent Fluid Contamination**
- **Quick & Easy Leakage Indication**
- **Extra Strength**
- **Patented Design**

Working Principle



Once a leakage occurs, liquid will seep throughout the air gap to the atmosphere as indication of internal leakage



This information is intended to serve as a reference and is not subject to guarantee. Precise inquiries are necessary for accurate information regarding performance specifications and suitability under specific working conditions. Responsibility rests on purchasers to decide whether products are appropriate for use before purchasing. Kaori is not liable for corrosion of products and/or other equipment from use of products. Kaori reserves the right to make changes to this information without prior notice.